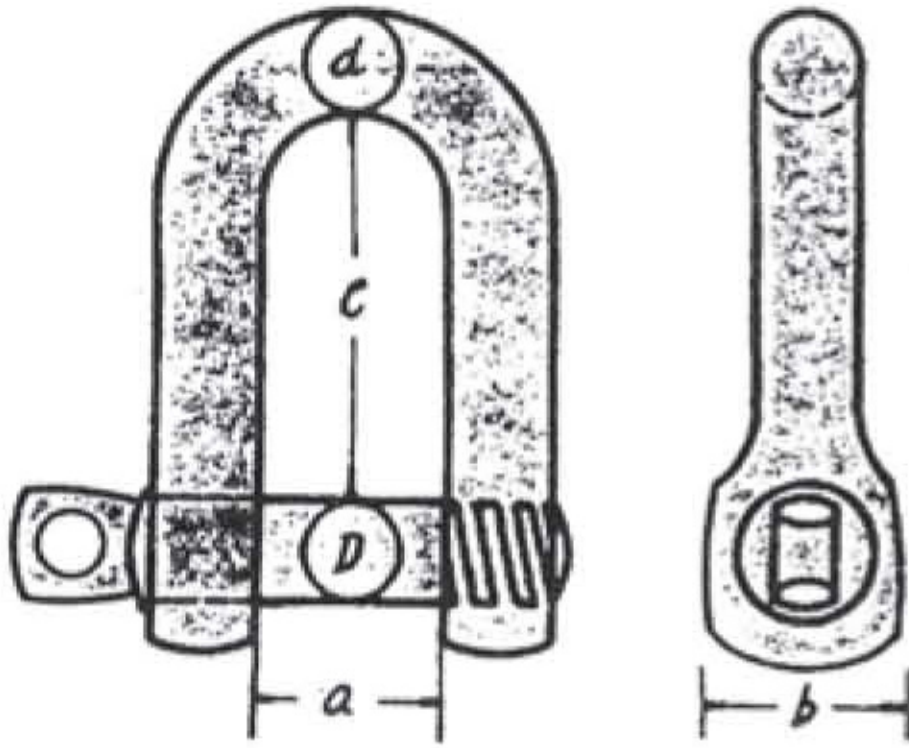


METRIC STANDARD DEE SHACKLES

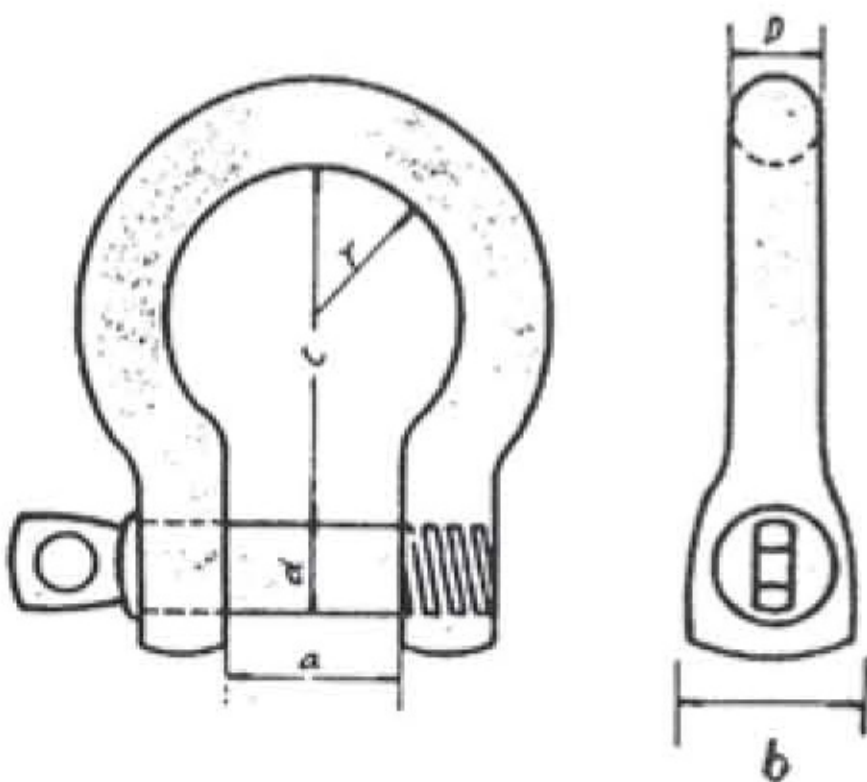
SAME SIZE DIAMETER PIN WITH BODY



D	d	a	c	b	Weight per 100 pce
mm	mm	mm	mm	mm	kg
5	5	10	19	11	1.9
6	6	13	25	14	3.4
8	8	16	32	18	7
10	10	19	38	20	13
12	12	25	51	26	24
16	16	32	64	33	50
20	20	38	76	40	80
22	22	44	89	50	130
24	25	51	100	57	200

METRIC STANDARD BOW SHACKLES

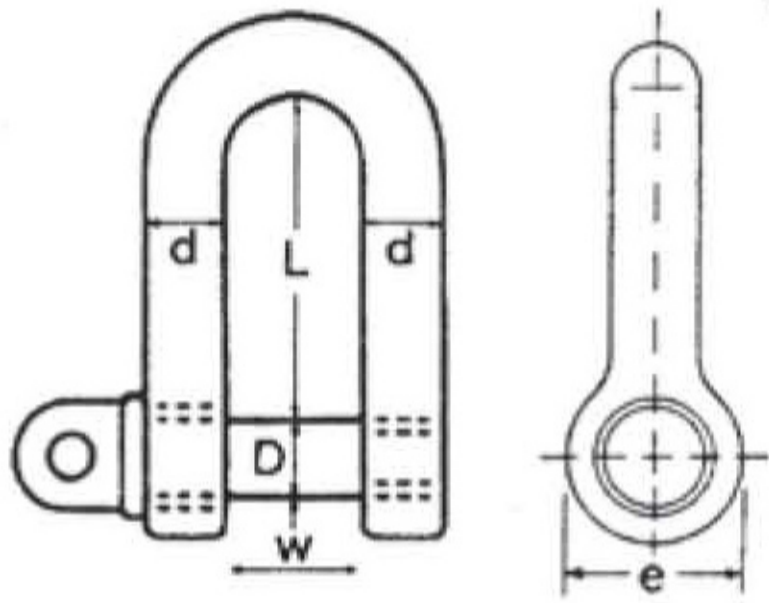
SAME SIZE DIAMETER PIN WITH BODY



D	d	a	c	r	b	Approx 100 pce/WT
mm	mm	mm	mm	mm	mm	kg
5	5	10	19	8	11	1.9
6	6	13	25	10	14	3.4
8	8	16	32	12	18	7
10	10	19	38	16	20	13
12	12	25	51	19	26	26
16	16	32	64	28	33	50
20	20	38	76	33	40	80
22	22	44	89	37	50	130
24	25	51	100	40	57	200

MILD STEEL GRADE 'L' LARGE DEE SHACKLES TO AS2741

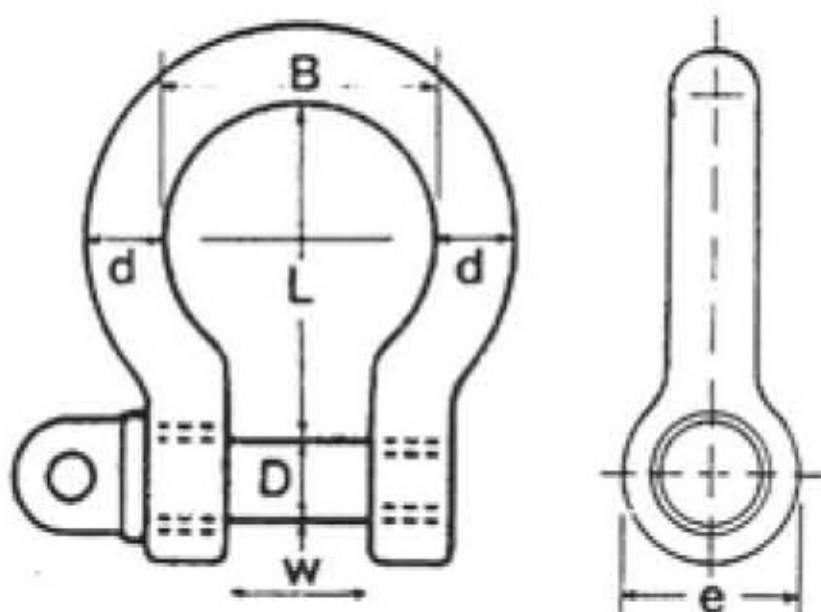
With screw collar pin



W.L.L.	d	D	w	L	e
T.	mm	mm	mm	mm	mm
0.40	10	13	19	38	25
0.60	13	16	28	54	32
1.1	16	19	32	63	38
1.6	19	22	38	73	44
2.3	22	25	44	83	51
3.0	25	29	51	95	57
3.8	29	32	54	105	63
4.5	32	35	60	114	70
5.5	35	38	67	127	76
6.5	38	41	70	137	89
8.5	44	48	83	156	102
12.0	51	57	98	187	114
15.0	57	63	108	210	127

MILD STEEL GRADE 'L' LARGE BOW SHACKLES TO AS2741

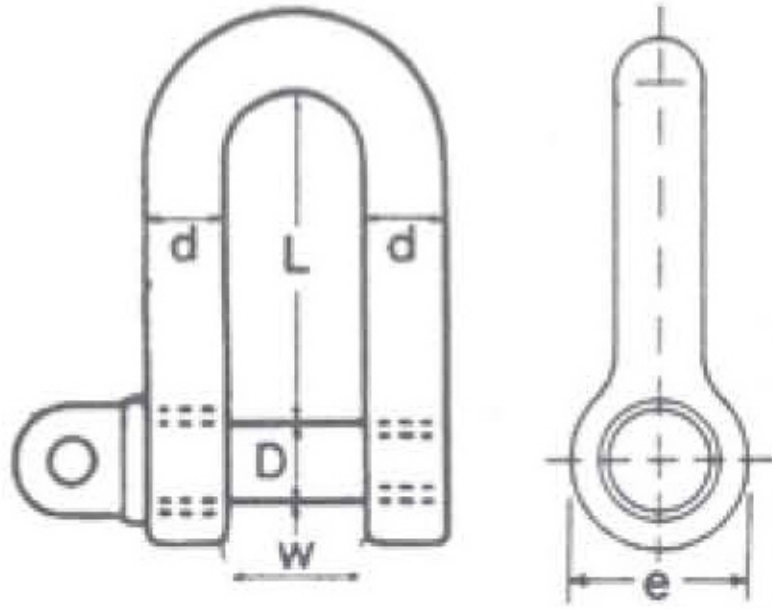
With screw collar pin



W.L.L.	d	D	w	L	e
T.	mm	mm	mm	mm	mm
0.35	10	13	16	25	41
0.60	13	16	22	32	54
1.00	16	19	29	41	70
1.5	19	22	35	51	86
2.0	22	25	41	57	98
2.8	25	29	44	64	108
3.5	29	32	51	73	124
4.3	32	35	57	83	137
5.5	35	38	64	89	152
6.5	38	41	70	98	168

HIGH TENSILE STEEL GRADE 'M' LARGE DEE SHACKLES TO AS2741

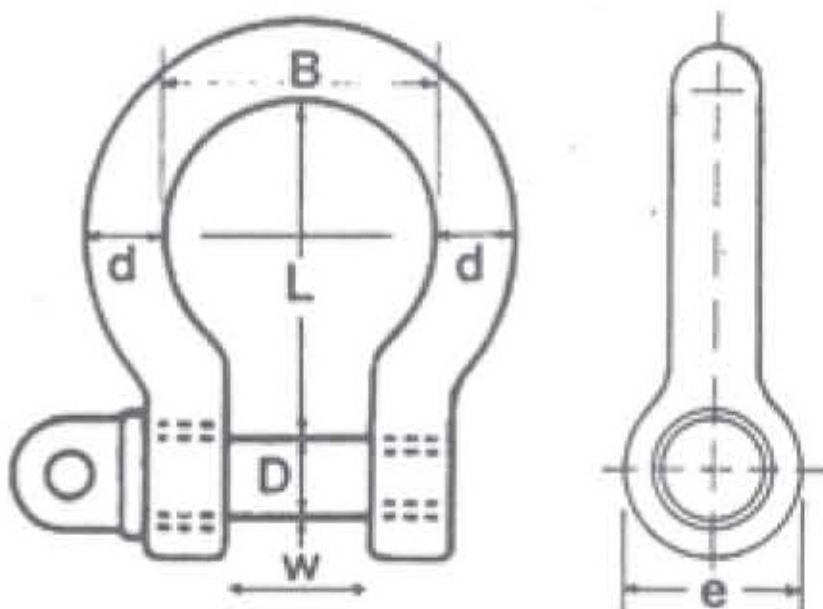
With screw collar pin



W.L.L.	d	D	w	L	e
T.	mm	mm	mm	mm	mm
0.25	6	10	13	25	19
0.50	10	13	19	38	25
0.75	13	16	28	54	32
1.5	16	19	32	63	38
2.0	19	22	38	73	44
3.0	22	25	44	83	51
3.8	25	29	51	95	57
5.0	29	32	54	105	63
6.0	32	35	60	114	70
7.0	35	38	67	127	76
9.5	38	44	70	137	89
11.0	41	48	76	146	95
13.0	44	51	83	156	102
14.0	48	54	92	178	108
16.0	51	57	98	187	114
20.0	57	63	108	210	127

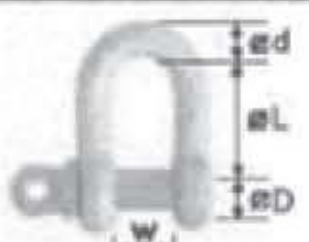
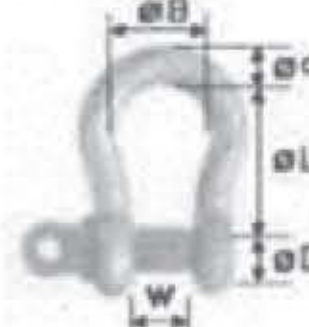


HIGH TENSILE STEEL GRADE 'M' LARGE BOW SHACKLES TO AS2741

With screw collar pin












W.L.L.	d	D	w	B	L	e
T.	mm	mm	mm	mm	mm	mm
0.45	10	13	16	25	41	25
0.75	13	16	22	32	54	32
1.30	16	19	29	41	70	38
2.00	19	22	35	51	86	44
2.80	22	25	41	57	98	51
3.80	25	29	44	64	108	57
4.80	29	32	51	73	124	64
5.80	32	35	57	83	137	70

Alloy Grade 'S' Shackles Load Chart A.S 2741 - 2002 Safety Factor of 5

 Chain shackle with screw pin	Working Load Limit (tonnes)	Dia. Bow d (mm)	Dia. Pin D (mm)	Inside Width W (mm)	Inside Length		Width of Bow B (mm)	Approx. Weight Each	
					Chain Type L (mm)	Anchor Type L (mm)		Screw Pin (Kg)	Safety Pin (Kg)
 Anchor shackle with screw pin	0.33	5	6	10	-	22	15	0.02	-
	0.50	6	8	12	22	29	20	0.06	0.07
	0.75	8	10	13	26	31	21	0.11	0.13
	1.00	10	11	17	32	37	26	0.15	0.17
	1.50	11	13	18	37	43	29	0.21	0.25
	2.00	13	16	21	41	48	33	0.37	0.44
	3.25	16	19	27	51	61	43	0.65	0.79
	4.75	19	22	32	60	72	51	1.06	1.26
	6.50	22	25	37	71	84	58	1.56	1.88
	8.50	25	29	43	81	95	68	2.32	2.78
 Safety chain shackle Bolt type	9.50	29	32	46	90	108	74	3.28	3.87
	12.00	32	35	52	100	119	83	4.51	5.26
	13.00	35	38	57	113	133	92	5.43	6.94
	17.00	38	41	60	124	146	98	7.89	8.79
	25.00	44	51	73	146	178	127	13.40	14.99
	35.00	51	57	83	171	197	146	18.85	20.65
	45.00	57	63	95	181	222	160	26.06	29.01
	55.00	63	70	105	203	267	184	37.86	41.05
	85.00	76	83	127	229	330	200	58.68	62.24
	120.00	89	95	146	267	381	241	-	110.0
 Safety anchor	150.00	102	108	165	318	432	279	-	160.0

Flat Webbing and Rounds Slings Load Chart

Flat webbing manufactured to AS1353.1 - 1997 Parts 1 & 2 SAFETY FACTOR 8:1 Round slings manufactured to AS 4497.1- 1997 SAFETY FACTOR 7:1

Webbing Slings & Round Slings										
	Vertical SWL	Choke SWL	Basket SWL	30 SWL	60 SWL	90 SWL	120 SWL	60 SWL	60 Choke SWL	
Capacity	Tonnes	Tonnes	Tonnes	Tonnes	Tonnes	Tonnes	Tonnes	Tonnes	Tonnes	
Tonnes	Colour Code									
1.0	Violet	1.0	.8	2	1.9	1.7	1.4	1	1.7	1.4
2.0	Green	2.0	1.6	4	3.8	3.4	2.8	2	3.4	2.8
3.0	Yellow	3.0	2.4	6	5.7	5.1	4.2	3	5.1	4.2
4.0	Grey	4.0	3.2	8	7.6	6.8	5.6	4	6.8	5.6
5.0	Red	5.0	4	10	9.5	8.5	7	5	8.5	7
6.0	Brown	6.0	4.8	12	11.4	10.2	8.4	6	10.2	8.4
8.0	Blue	8.0	6.4	16	15.2	13.6	11.2	8	13.6	11.2
10.0	Orange	10.0	8	20	19	17	14	10	17	14

- All slings are made from 100% polyester
- SWL is clearly marked on each sling
- Colour coding on each sling for added safety
- Protective sleeves are recommended for lifting sharp and rough cargoes



Flat webbing slings

