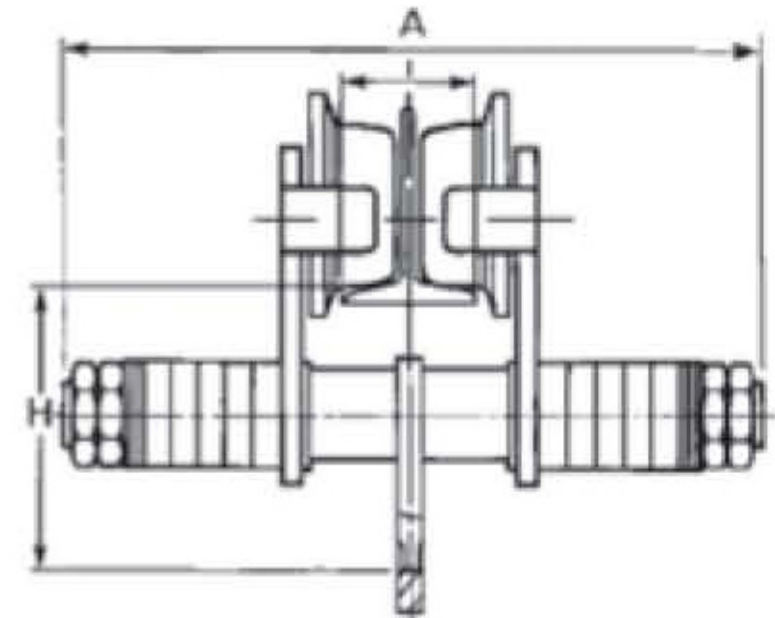
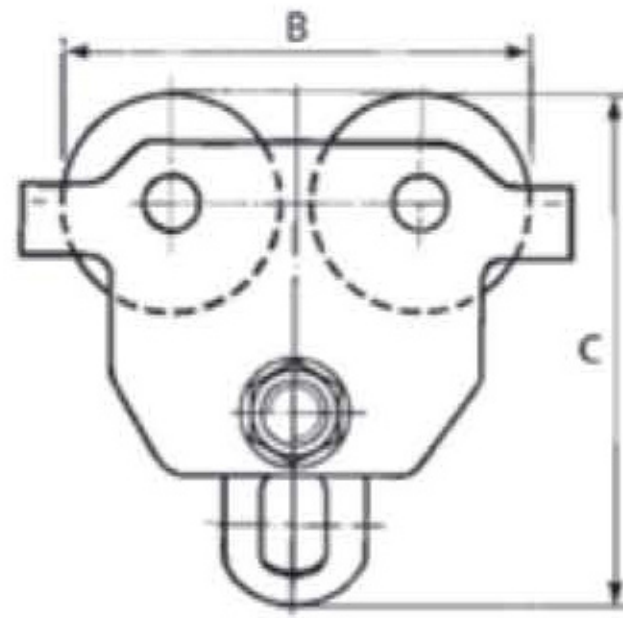




Push Girder Trolley

Capacities: 500Kg to 20 tonnes
Complies with AS 1418.2



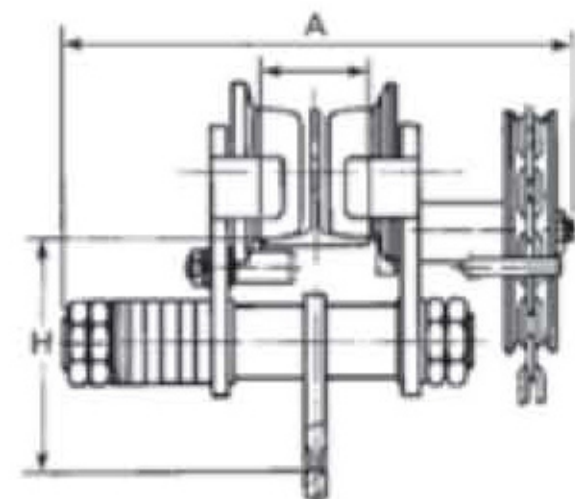
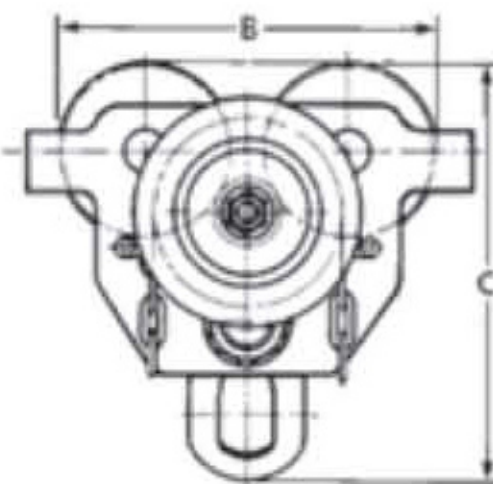
Product Code	OPT05	OPT1	OPT2	OPT3	OPT5	OPT10
Safe working load (tonnes)	0.5	1	2	3	5	10
Adjustable beam width (mm)	64 - 152	64 - 203	88 - 203	102 - 203	114 - 203	125 - 203
Net weight (Kg)	8	14	21	36	51	90
Clearance Dimensions (mm)						
A	254	318	335	357	368	405
B	216	260	300	345	395	455
C	195	239	286	336	393	500
H	110	135	161	185	220	280
Min. radius curve (metres)	0.9	1.0	1.1	1.3	1.4	1.7

- Lightweight robust construction
- Super quick adjustment to any monorail
- Durable baked enamel paint protection
- Precision ball bearing trolley wheels



Geared Girder Trolley

Capacities: 500Kg to 20 Tonnes
Complies with ASI418.2



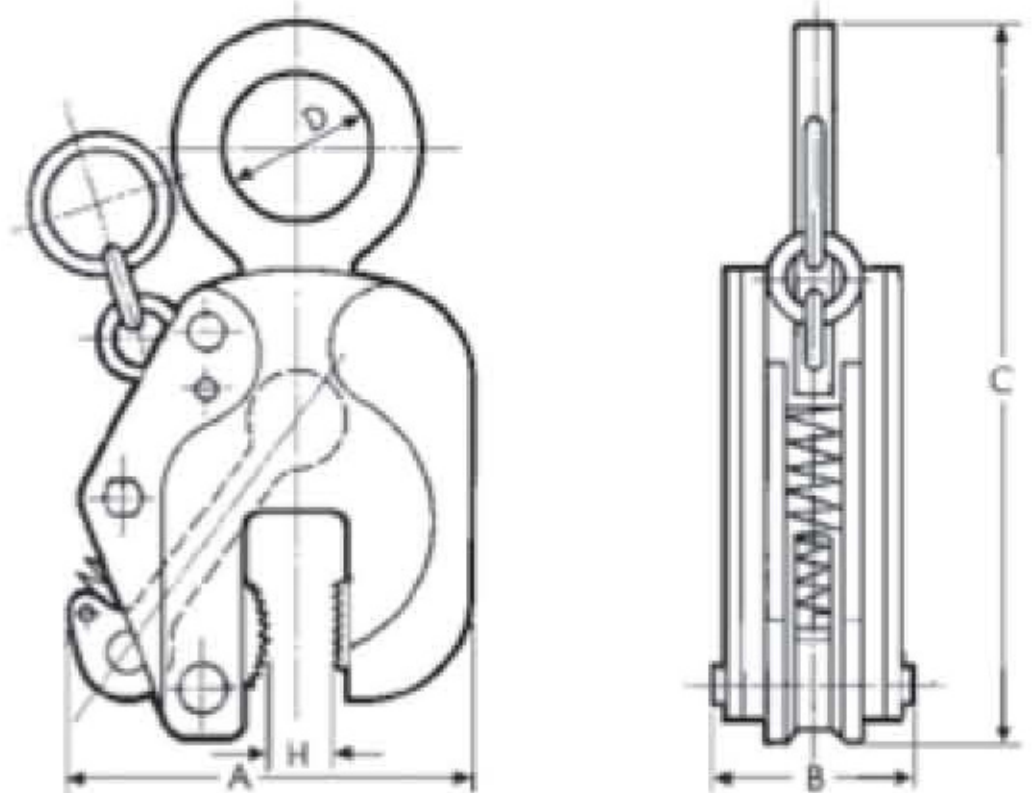
Product Code	OGT1	OGT2	OGT3	OGT5	OGT10
Safe working load (tonnes)	1	2	3	5	10
Adjustable beam width (mm)	64 - 203	88 - 203	102 - 203	114 - 203	125 - 203
Net weight (Kg)	18	27	43	60	105
Clearance Dimensions (mm)					
A	380	390	513	430	468
B	260	300	345	395	470
C	239	286	336	393	500
H	135	161	188	220	280
Min. radius curve (metres)	1.0	1.1	1.3	1.4	1.7

- Lightweight robust construction
- Super quick adjustment to any monorail
- Durable baked enamel paint protection
- Precision ball bearing trolley wheels



Vertical Plate Lifting Clamps

Capacities: 1 tonne to 3 tonnes



- Robust all-steel construction
- Safety lock
- Wide plate acceptance
- Hardened pressure plate and tongue
- Durable baked enamel paint protection

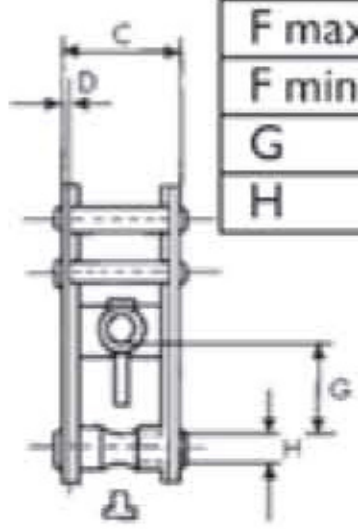
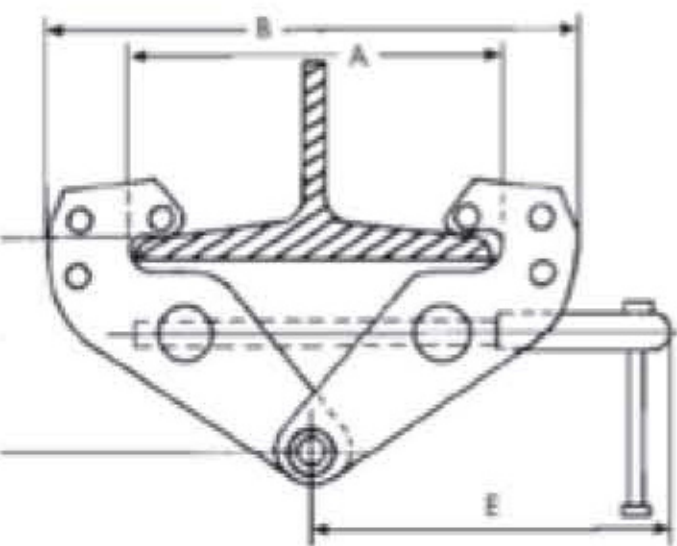
Spare parts always available	OVPC1-	OVPC2-	OVPC3-
Capacity (tonnes)	1	2	3
Test (KN)	14.71	29.42	44.13
To suit plate thickness (mm)	2 - 30	2 - 40	2 - 50
Net weight (Kg)	4.5	7.5	12.5
Clearance Dimensions (mm)			
A max.	144	170	207
B	70	82.5	88
C min.	286	297	336
D	60	60	60
H max.	30	40	50



Girder Clamps

Capacities: 1 tonne to 10 tonnes
Complies with ASI418.2

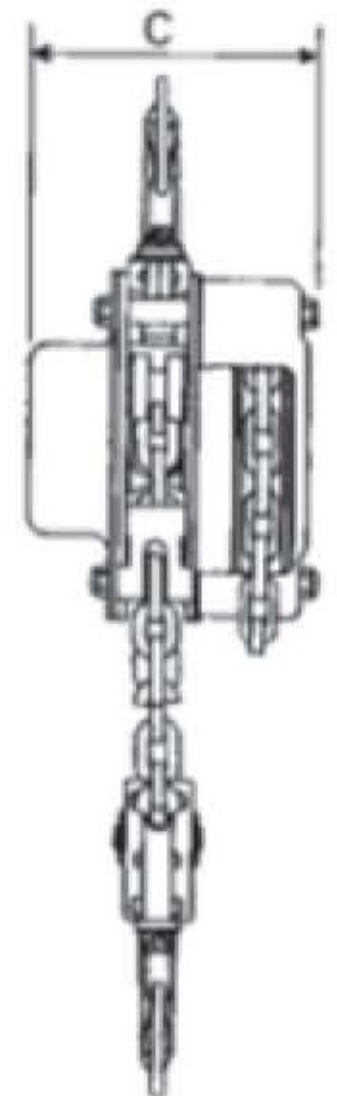
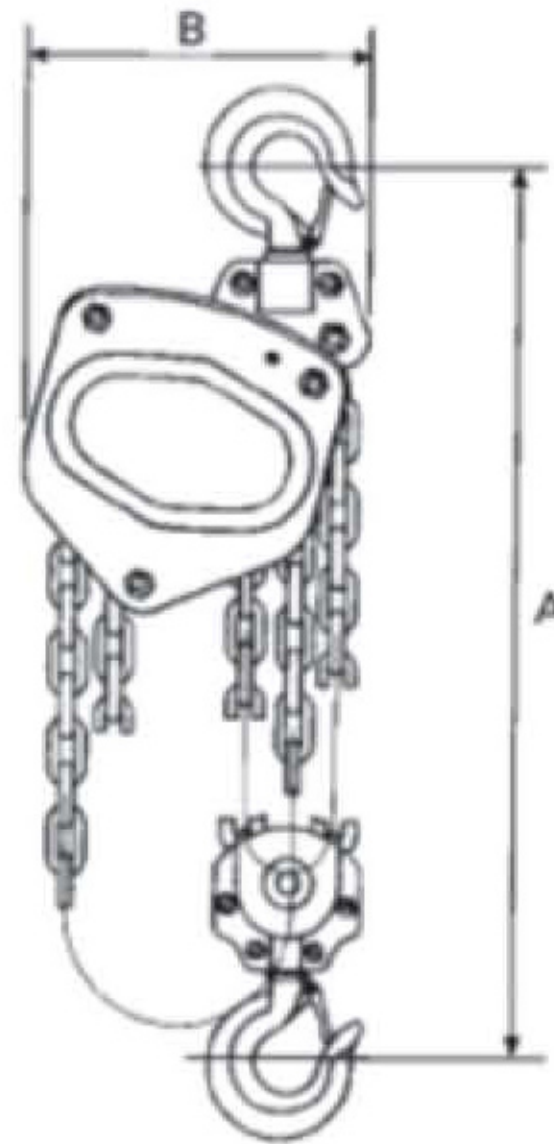
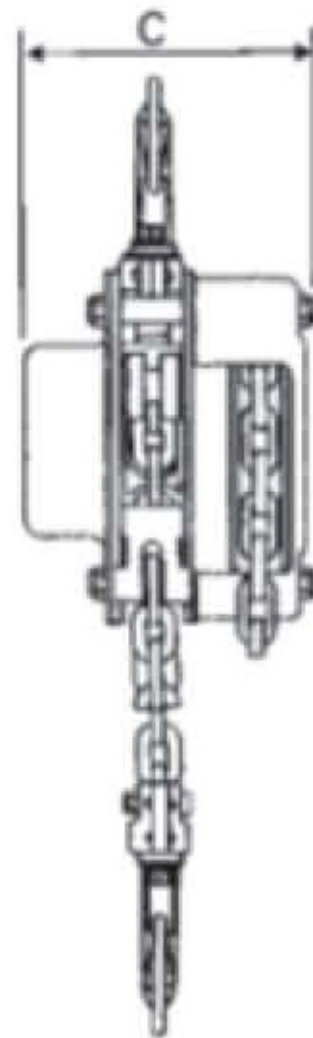
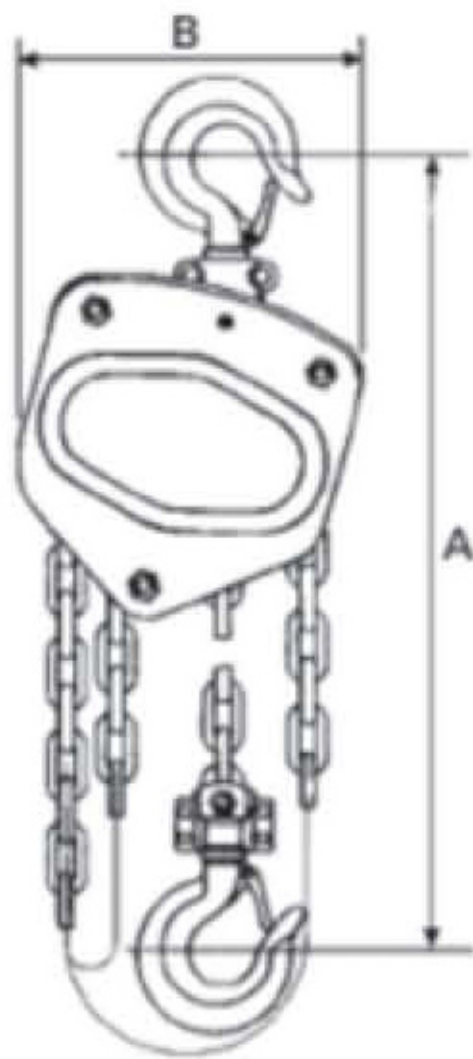
Product Code	OGC1	OGC2	OGC3	OGC5	OGC10
Safe working load (tonnes)	1	2	3	5	10
Adjustable beam width (mm)	75 - 230	75 - 230	80 - 320	90 - 320	90 - 320
Clearance Dimensions (mm)					
A max.	278	278	356	356	356
B min.	182	182	220	220	250
B max.	380	380	500	500	520
C	64	74	100	112	120
D	4	6	8	10	12
E	217	217	277	277	285
F max.	150	150	220	220	230
F min.	90	90	145	145	160
G	26	26	50	47	52
H	19	21	23	29	39



- Robust all-steel construction
- Durable baked enamel paint protection
- Super quick adjustment to any girder width in range
- Spare parts always available

'S'SERIES CHAIN BLOCKS
 Capacities: 500kg to 20 tonnes
 Complies with AS 1418.2

Dimensions:



0.5, 1, 1.5 & 2 tonne

3 & 5 tonne

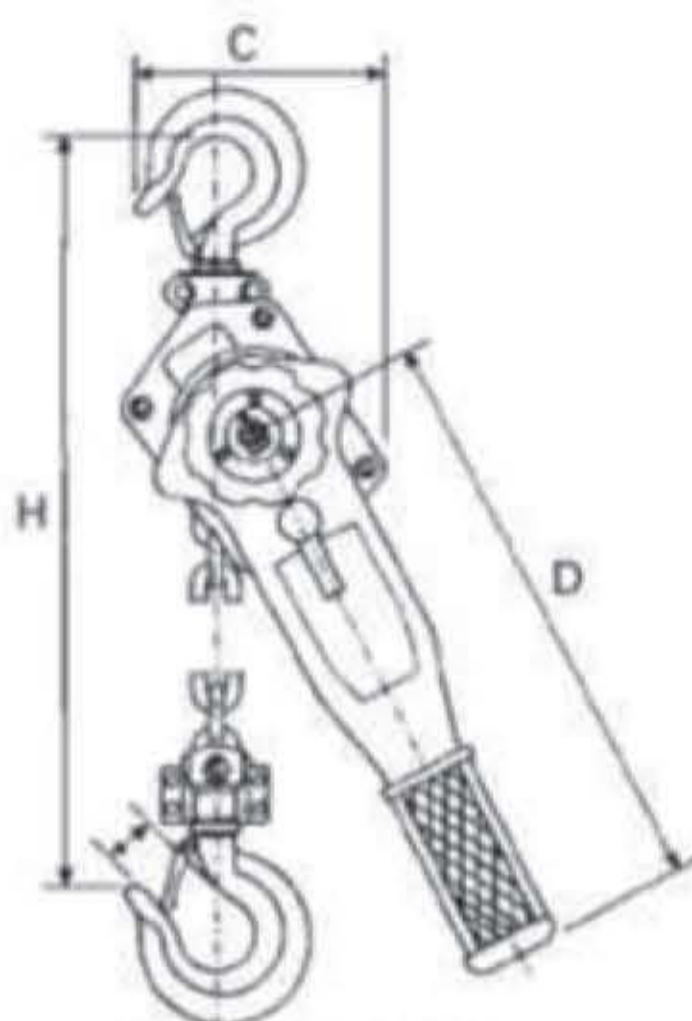
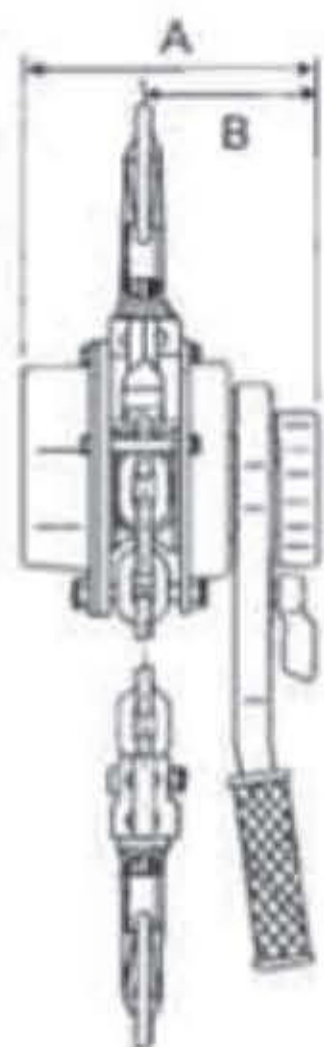
Product Code	SOCB05	SOCB1	SOCB1.5	SOCB2	SOCB3	SOCB5	SOCB10
Safe working load (tonnes)	0.5	1	1.5	2	3	5	10
Standard lift (metres)	3	3	3	3	3	3	3
Falls of chain	1	1	1	1	2	2	4
Effort to lift S.W.L. (Kg)	23	30	32	35	27	41	39
Net weight (Kg)	10	12	13	22	32	46	68
Loadchain diameter (mm)	6	6m	8	8	8	10	10
Clearance Dimensions (mm)							
A (Headroom)	270	317	399	414	465	636	750
B (Width)	127	158	187	187	210	253	373
C (Depth)	131	140	161	161	161	161	184
Hook opening (upper)	30	28	36	33.5	40	50	64
Hook opening (lower)	30	28	36	33.5	40	50	64

- Lightweight robust construction
- Super strength alloy load chain
- Fully machined lift wheel
- Minimum headroom
- Minimum effort to raise maximum load
- Cast steel safety latches
- Lower hook complete with thrust race

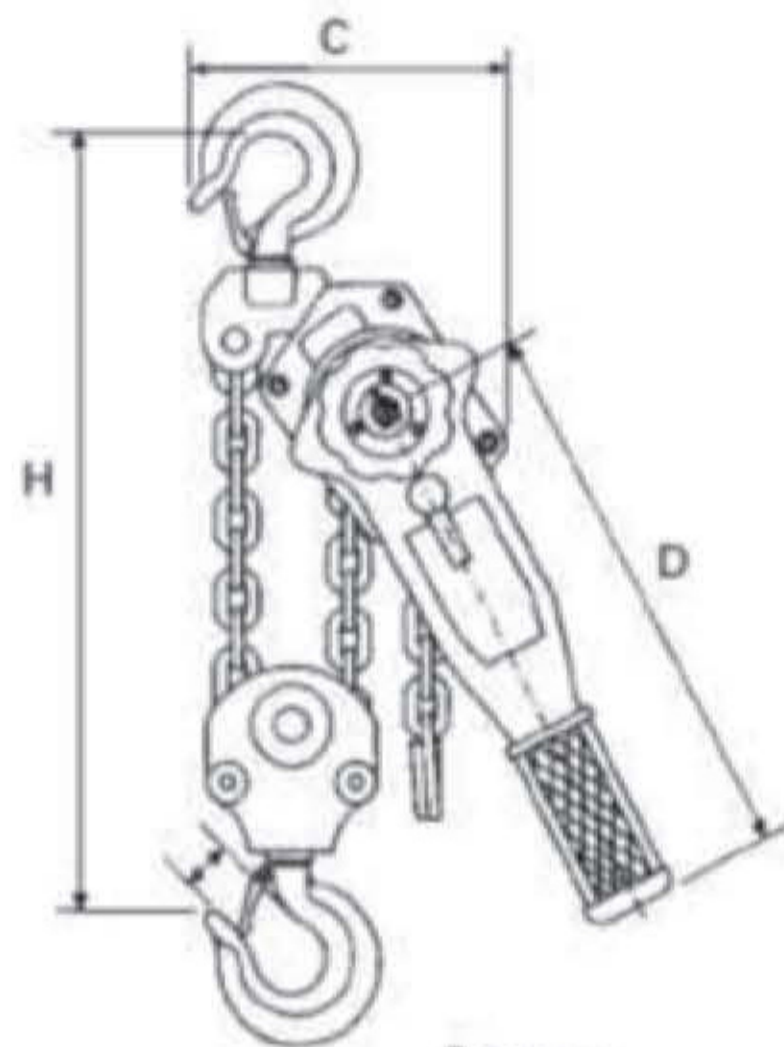
- Fully enclosed gear train
- Weather protected automatic Weston brake with unique Twin Pawls
- Galvanised hand chain as standard
- Durable baked enamel paint protection
- Stainless steel labels
- Spare parts always available

'S' SERIES LEVER BLOCKS

Capacities: 500Kg to 6 tonnes
Complies with AS 1418.2



0.5, 0.75, 1.5 & 3 tonne



6 tonne

Product Code	SOLB05	SOLB075	SOLB150	SOLB300	SOLB600
Safe working load (tonnes)	0.5	0.75	1.5	3	6
Standard lift (metres)	1.5	1.5	1.5	1.5	1.5
Test load (KN)	7.5	11.3	22.5	45	90
Effort on lever to lift full load (Kg)	28	14	22	32	34
Falls of chain	1	1	1	1	2
Diameter of load chain (mm)	5	6	8	10	10
Net weight (Kg)	4	7	11	21	31
Clearance Dimensions (mm)					
A (Depth)	105	148	172	200	200
B	78	90	98	115	115
C (Width)	80	136	160	180	235
D (Lever handle length)	300	280	410	410	410
E	20	30	35	40	50
H (Headroom)	260	325	380	480	620

- Robust all-steel construction
- Super strength alloy loadchain
- Minimum effort to raise maximum load
- Fully enclosed gear train
- Weather protected automatic Weston brake
- Fully machined lift wheel
- Cast steel safety latches

- Malleable hook forgings
- All gears and shafts running on roller bearings or bushes
- Durable baked enamel paint protection
- Stainless steel labels
- Spare parts always available